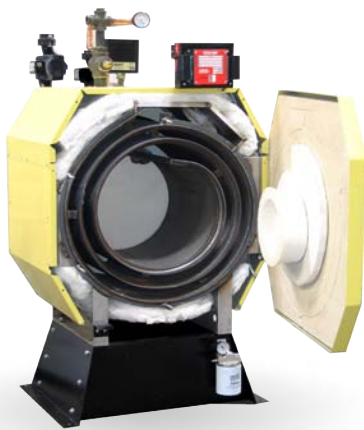


EK3 3 GPH MAX PRODUCT DATA SHEET



**Commercial capacity and
quieter than a microwave oven,
plus . . .**

- Exceptionally clean burning
- Light weight, only 650 pounds
- Easily piped into multiple zones
- Highest efficiency
- Install multiple units for larger applications and redundancy

EK3 is part of the System 2000
family of products manufactured by

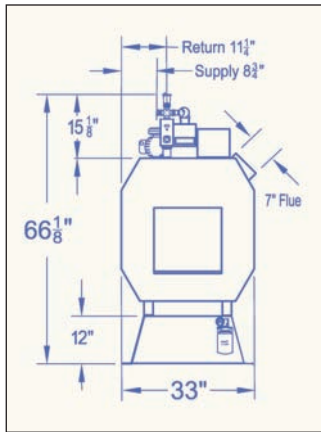
It's got to be
**SYSTEM
2000®**

Call us today for **800-661-0902**
more information www.system2000.com

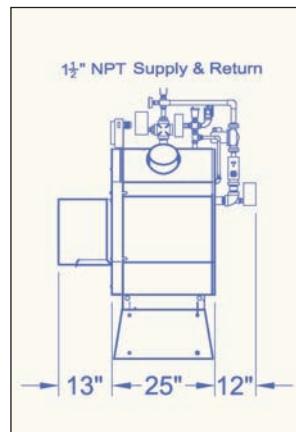


Specifications

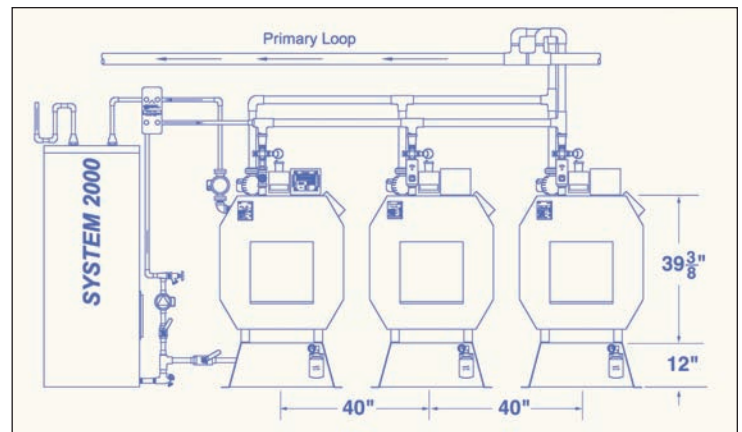
- Fully Packaged Pre-Piped and Pre-Wired Boiler and Burner
- Easy Service Design – Side Swing Door for Complete Inspection and Service
- Will fit through a 34" doorway (Special order knockdown fits 30" doorway)
- Easy installation, weighs just 650 pounds
- ASME and National Board Certified Construction Standard
- 7 gallon water content
- 30 psi relief valve
- Manual Reset High Limit included
- Manual Reset Low Water Cutoff included
- Ideal for commercial applications and extremely large residences
- Designed for multiple boiler applications Multiple boiler controls are optional
- Combustion efficiency up to 87%
- FMC Front Opening Modular Commercial Control Package for primary/secondary injection
- Digital Energy Manager Control Package for multi-zone heating and domestic hot water production optional



FRONT ELEVATION



SIDE ELEVATION





1,000,000 BTU/hr heat and hot water application

Combine the EK3 with Energy Kinetics' high performance hot water systems to meet virtually unlimited demands for hot water.

- 7" diameter flue connection
- Taco 007 Bypass Circulator and 0012 System Circulator included
- 1 1/2" supply, 1 1/2" return

Oilheat Input (GPH)	Nozzle @ Pump (psi)	Gross Output (BTU/hr.)
2.25	2.00 @ 130	272,000
2.60	2.25 @ 135	313,000
3.00	2.50 @ 145	357,000

  Patents 4,261,299 4,425,875 4,785,308 6,276,307 & Patents Pending

The System 2000 family:

All System 2000 models feature famous American made Energy Kinetics quality including swing door, wide open passages, and no pins or baffles. Choose the right System 2000 for your residential or commercial installation.

It's as easy as 1, 2 or 3!



EK1 – 1 GPH MAX
SHOWN WITH DOMESTIC HOT WATER



EK2 – 1.75 GPH MAX



EK3 – 3 GPH MAX



As an ENERGY STAR® Partner, Energy Kinetics has determined that this product meets ENERGY STAR guidelines for energy efficiency.

© The color yellow for heating boilers is a registered trademark of Energy Kinetics.

ENERGY KINETICS

MANUFACTURER OF THE SYSTEM 2000 FAMILY OF PRODUCTS

51 Molasses Hill Road Lebanon NJ 08833
Tel: 800 323 2066 Fax: 800 735 2068